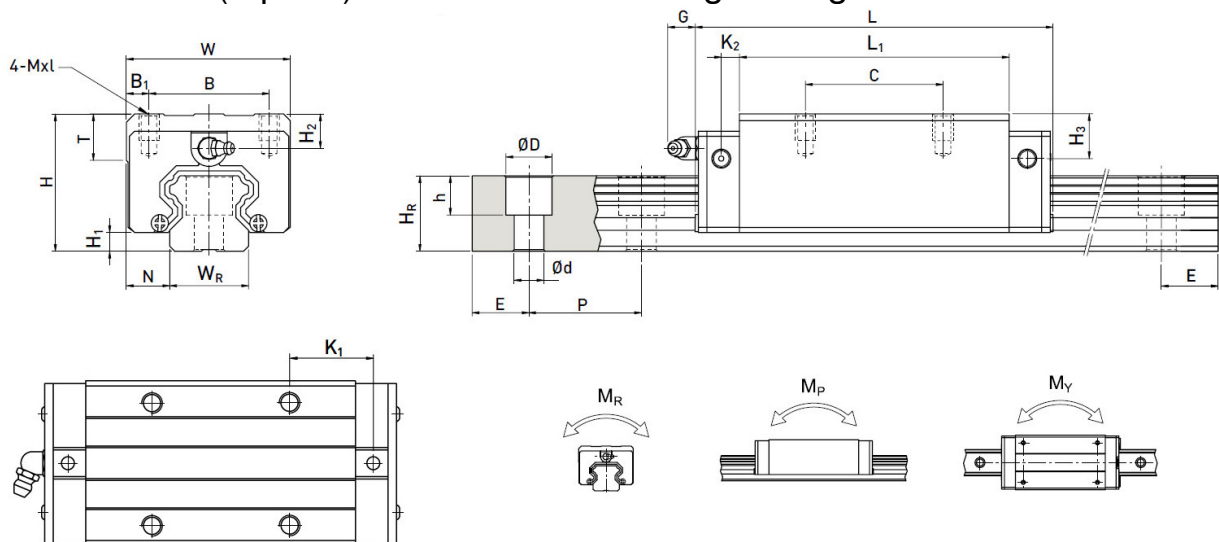



Hiwin compatible/interchangeable guideways

NARROW (square) - TYPE 4-row bearing carriages



Part #	Assembly Measures (mm)				Carriage Measures (mm)									
	H	H1	N	W	B	B1	C	L1	L	G	M	T	H2	H3
BLH15N	28	4.3	9.5	34	26	4	26	39.8	61.8	5.3	M4x5	6	8.5	9.5
BLH20N	30	4.6	12	44	32	6	36	50.8	77.4	12	M6x6	8	6	7
BLH25N	40	5.5	12.5	48	35	6.5	35	59.5	83.5	12	M6x8	8	10	13



Part #	Rail Size (mm)							Mounting Bolt for Rail	Rated Load		Static Rated Moment		
	Wr	Hr	D	h	d	P	E		C(kN) Dynamic	Co(kN) Static	MR kN-m	MP kgf-mm	MY kgf-mm
BLH15N	15	15	7.5	5.3	4.5	60	20	M4 x 16	8.33	13.5	0.15	0.15	0.155
BLH20N	20	18	9.5	8.5	6	60	20	M5 x 16	13.8	23.8	0.38	0.27	0.27
BLH25N	23	22	11	9	7	60	20	M6 x 20	19.9	34.4	0.64	0.51	0.51

Products are in stock and ready to ship from our warehouse in North Carolina. Allow for up to 5 days to measure, mark and cut rails to your specific requirement.

To convert kN force to pounds of force (lbf), multiply by 224. For example, 8.33 kN is about 1866 lb.

IMPORTANT: Carriages and rails detailed above are **COMPLETELY** interchangeable with Hiwin HG series. What this means is that you can install a Hiwin HGH15CAZ0C carriage on our BLH15R rail. Or you can install our BLH15F carriage on Hiwin HGR15R rail. Our purposes for selling these particular 15mm, 20mm and 25mm guideways are as follows.

- To provide you with a quality **low-cost** option. The products are manufactured in an ISO 9001: 2000 certified factory in China. This supplier has produced linear guideways for 7+ years. New production line and manufacturing equipment deployed in 2014 with significant product redesign and engineering changes resulting in enhanced performance, stability and consistency.
- To support with **extensive stocking and cutting program** from our facility in the USA. This means you can get EXACTLY what you need fast. Hundreds of carriages and miles of rail are on our shelves just waiting to be used in your projects.
- To make sure you won't end up with obscure, obsolete products that cannot be replaced/maintained. Carriages are mechanical parts, and they wear out over time. It is our intent to stay in this business and be able to supply you with BLH products when needed. But you also have the **assurance that Hiwin HG parts can be swapped in** if you get into a pinch.

If you need other carriage variations or preloads, just ask! We can also provide "long" version bearings and heavier preloads if you need them. Typical delivery for these products is 2-3 weeks.