

8

7

6

5

4

3

2

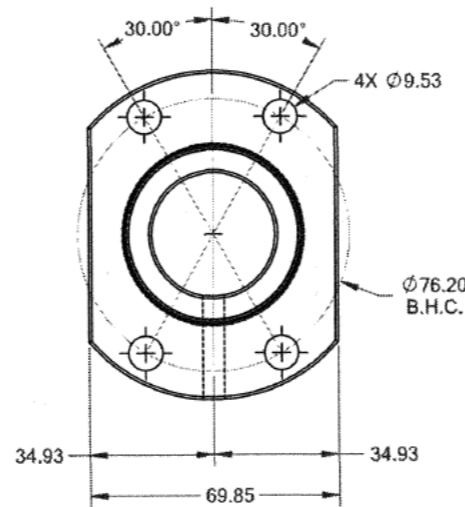
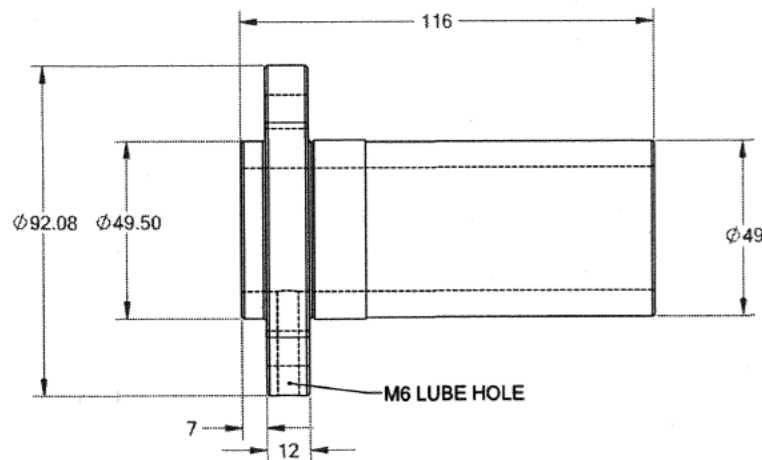
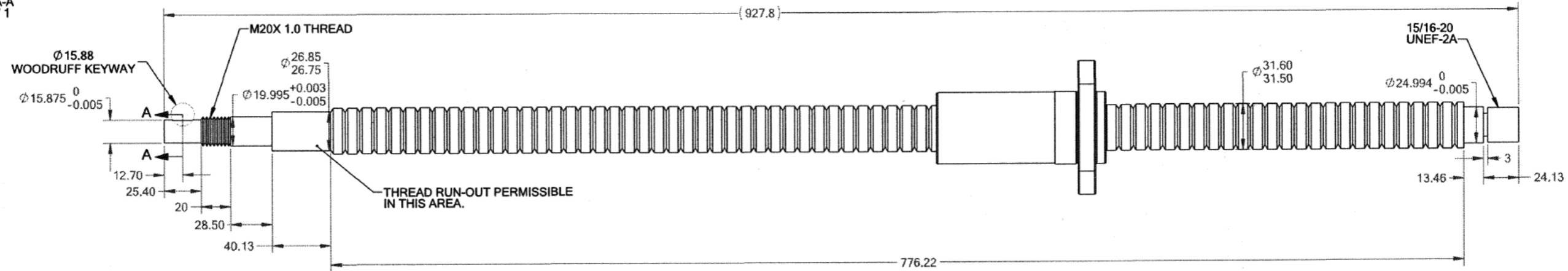
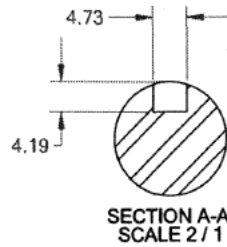
DWG NO. [REDACTED] SH 1 REV X02

NOTICE: THIS DRAWING OR MATERIAL CONTAINS PROPRIETARY INFORMATION OF FACAL MACHINING CENTERS, LLC. IT IS SUBMITTED IN CONFIDENCE OF CONDITION THAT IT WILL NOT BE COPIED OR OTHERWISE REPRODUCED, WILL BE USED ONLY FOR YOUR INFORMATION, AND WILL NOT BE USED OR DISCLOSED TO ANYONE EXCEPT AS AUTHORIZED BY SPECIFIED WRITTEN CONSENT OF FACAL MACHINING CENTERS, LLC.

REMOVE BURRS AND SHARP EDGES.

REVISION HISTORY				
ZONE	REV	DESCRIPTION	DATE	APPROVED
	X	PRELIMINARY DRAWING	5/23/2006	J. HUNT
	X01	PROTOTYPE RELEASE	6/1/2006	J. HUNT
C7	X02	ADDED M20 X 1.0 THREAD CALLOUT.	8/1/2006	J. HUNT

Part Number: 167031



PROTOTYPE RELEASE

UNLESS OTHERWISE SPECIFIED, DIMENSIONS ARE IN MILLIMETERS. TOLERANCES ARE: DECIMALS ANOLES XX ± .X ± .1 XXX ± .25 ± .1		THIRD ANGLE PROJECTION		TITLE	
DO NOT SCALE DRAWING		APPROVALS	DATE	BALLSCREW, X 32x10MM	
MATERIAL	-	CHECKED	J. HUNT	05/23/06	REV. X02
FINISH	-	ENGINEER			
TREATMENT	-	ENGINEERING MGR.			
SCALE 2:3		CAL. WT. ACT. WT. SHEET 1 OF 1			

8

7

6

5

4

3

2

1